

# MTX<sup>®</sup> AUDIO

# RFL15

## 15" 3500W rms 2Ω SVC superwoofer

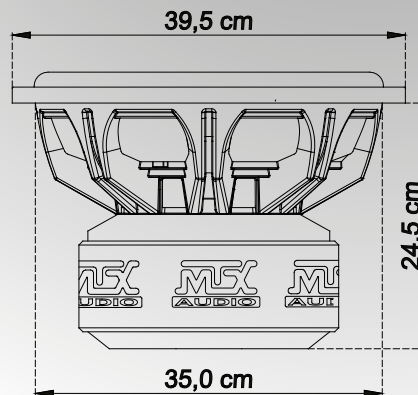
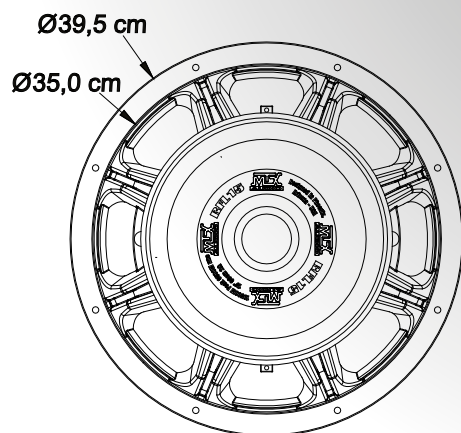


### Paramètres

- Fs : 30 Hz
- Re : 2 Ω
- Z : 2 Ω
- Qms : 5,81
- Qes : 0,44
- Qts : 0,41
- Vas : 59,7 liters
- Mms : 383,8 grams
- Cms : 0,06mm/N
- X max : 15mm
- X max mech. : 36mm
- Sd : 825cm<sup>2</sup>

### Caractéristiques

- Superwoofer
- Diameter : 38cm (15")
- Peak power : 10500W
- RMS power : 3500W
- Sensitivity : 92,6dB/1W/1m
- Impedance : 2Ω SVC
- Voice coil diameter : 4"
- BL factor : 22
- Frequency response : 26Hz - 500Hz
- Weight : 38kg



3500W rms : ultimate performances superwoofer

BBR test : 105 volts (a record!)

4" CCAR 280°C Voice coil with copper coated flat aluminum wire

35mm thick front and back plates

Dual spider

Dual tinsel leads

Heavy reinforced aluminum frame

Symetrical connectors

Dual voice coil cooling system

Wood gift-box

Built for MTX RFL4001D amp and SLH15U enclosure

Recone kit available

[mtxaudio.eu](http://mtxaudio.eu)

[facebook.com/MTXEurope](https://facebook.com/MTXEurope)

[twitter.com/MTXEurope](https://twitter.com/MTXEurope)