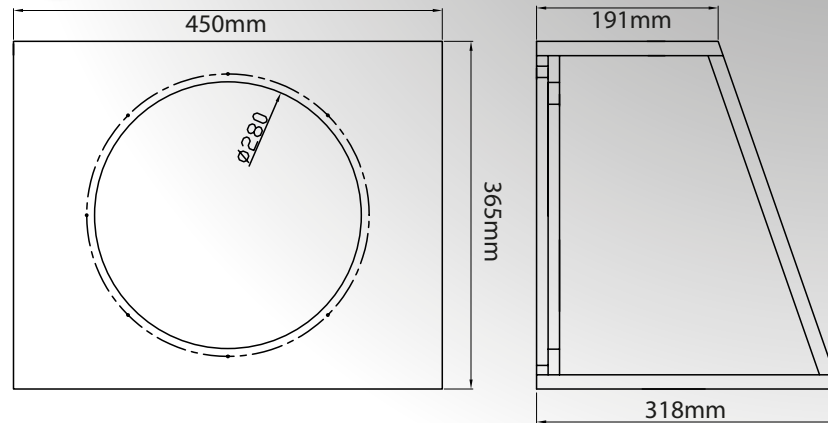


RTE12AS

12" small sealed enclosure 4Ω 350W



Specifications

- Small sealed enclosure
- 12" subwoofer
- RMS CEA Power : 350W
- Peak Power : 1050W
- Impedance : 4Ω
- Sensitivity : 92,5dB/2,83V/1m
- Frequency Response : 23-300Hz
- Weight : 13Kg
- Dimensions : 36,5x45x31,8cm

12" subwoofer in a very small easy to fit enclosure

Subwoofer optimized and built for this specific enclosure

16mm MDF construction, rubber gasket, spring terminals...

Recommended amps : T250 T450 TR100.2 TR100.4 TR275 TR450

Very efficient and powerful bass

mtxaudio.eu

facebook.com/MTXEurope

twitter.com/MTXEurope