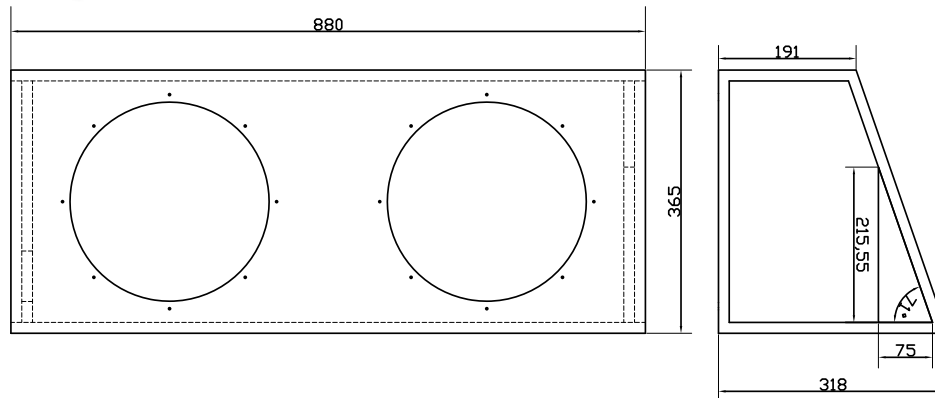




RTE12x2DV

Dual 12" vented enclosure 700W RMS 2800W Peak 2Ω



Extraordinary bass level

Enclosure allowing to be heard before being seen...

Side port for a deeper bass and a better corner effect

Two 12" high performance subwoofers (700W RMS)

Subwoofers optimized and built for this enclosure

19mm MDF construction, rubber gasket, push terminals

Recommended amps : TX6500D

Complementary products



TX6500D

Specifications

- Vented enclosure
- Dual 12" subwoofers
- RMS CEA Power : 700W
- Peak Power : 2800W
- Impedance : 2Ω
- Sensitivity : 96dB/2,83V/1m
- Frequency Response : 23-300Hz
- Weight : 25Kg
- Dimensions : 88x36,5x31,8cm

mtxaudio.eu

facebook.com/MTXEurope

twitter.com/MTXEurope