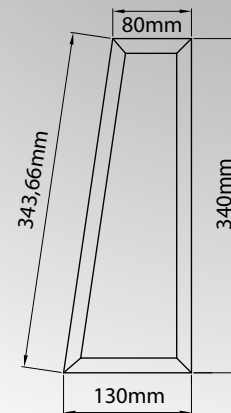
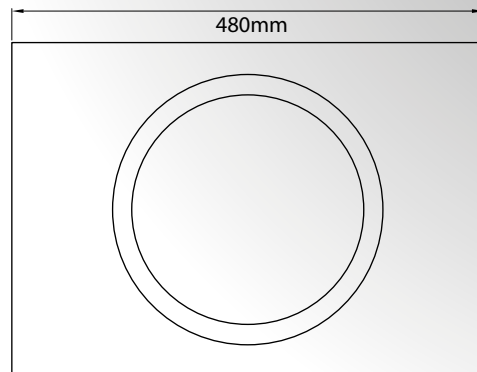


## RTF10AS 10" 4Ω 300W Shallow Enclosure



### Specifications

- Flat sealed enclosure
- 10" subwoofer
- RMS CEA Power : 300W
- Peak Power : 900W
- Impedance : 4Ω
- Sensitivity : 91dB/2,83V/1m
- Frequency Response : 29-300Hz
- Weight : 10Kg
- Dimensions : 34x48x13cm

Super shallow, it fits anywhere

Subwoofer optimized and built for this specific enclosure

16mm MDF construction, rubber gasket, spring terminals...

Recommended amps : T250 T450 TR100.2 TR100.4 TR275 TR450

Impossible to make more bass in such a small enclosure

[mtxaudio.eu](http://mtxaudio.eu)

[facebook.com/MTXEurope](https://facebook.com/MTXEurope)

[twitter.com/MTXEurope](https://twitter.com/MTXEurope)