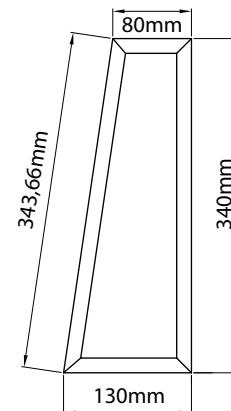
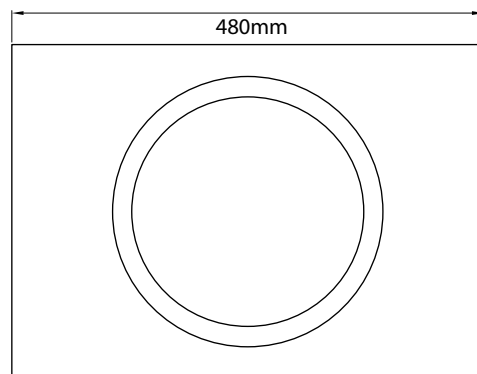


RTF10P

10" Shallow Sealed Powered Enclosure 200W RMS Class-D



Specifications

- Powered flat sealed enclosure
- 10" subwoofer
- Peak power : 600W
- RMS power : 200W
- Low pass x-over 18dB @ 80Hz
- EBC remote included
- High level and low level inputs
- Weight : 12Kg
- Dimensions : 34x48x13cm (8cm at the top)

Powered, it is easy to install

Super shallow, it fits anywhere

Super efficient Class-D amplifier

Amplifier and subwoofer optimized and built for this enclosure

16mm MDF construction, rubber gasket, spring terminals...

Amp located on the side for easy installation and connexions

Impossible to make more bass in such a small enclosure

mtxaudio.eu

facebook.com/MTXEurope

twitter.com/MTXEurope