

RTX2BTS

1" High Efficiency Compression Bullet Tweeter 4Ω 100W RMS



Compression bullet tweeter for maximum efficiency

Outstanding sound quality with an incredible sense of music

1" (25mm) KSV voice coil for an incredible dynamic

CCAW voice coil wire for more definition

Super large strontium magnet (Ø70mm) for more dynamic and efficiency

Titanium cone for maximum speed and dynamics

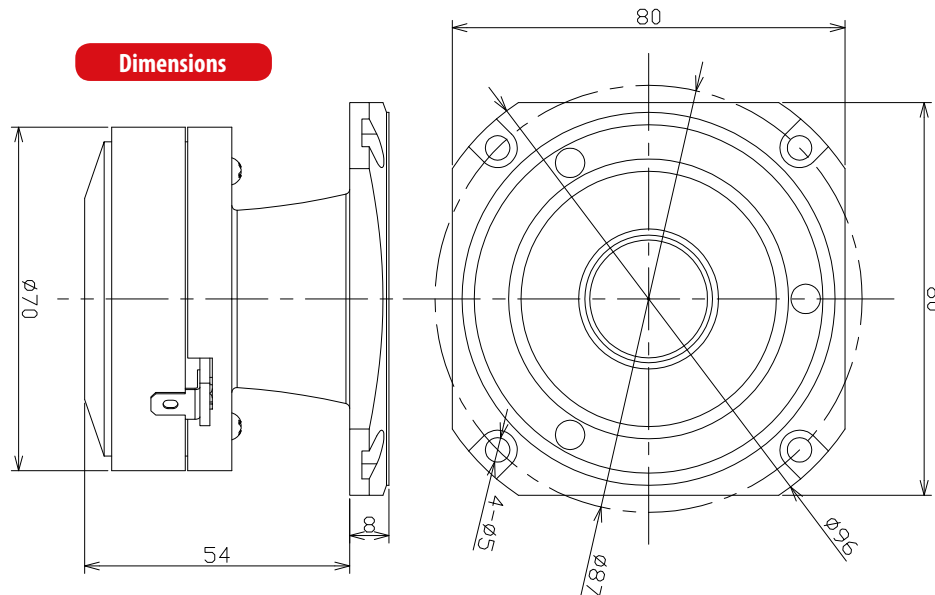
Integrated passive x-over. It comes with a soldered polypropylene capacitor

Sold by piece - You need two RTX2BTS for stereo system

Optimized to work with MTX RTX654 or RTX84 midranges

Recommended amps : MTX TX2275 TX2450 TX480D RFL4120

Dimensions



X-over



Specifications

- Compression Tweeter
- Voice coil diameter : 1"
- Frame dimension : 80mm
- RMS Power : 100W
- Max Power : 400W
- Sensitivity : 102,0dB/2v/1m
- Impedance : 4Ω
- Response : 2000Hz - 20000Hz
- Mounting Depth : 54mm