

## RTX654

16,5cm (6.5") 4Ω 125W RMS High Efficiency Midrange



Exceptional sound quality with an incredible sense of music...

38mm giant voice coil for more power handling

115mm extra large strontium magnet for a better cone control and more power handling

Compressed paper cone for more efficiency, softness and high quality sound

Treated Cloth edge suspension for a better efficiency

Highly detailed midrange  
Good bass response

Easy to install - Fits into the original 6.5" 16,5 cut outs (Ø145mm)

Sold by piece - You need two RTX654 for a stereo system

Design to work fine with MTX RTX2BTs or RTX4BTs tweeters

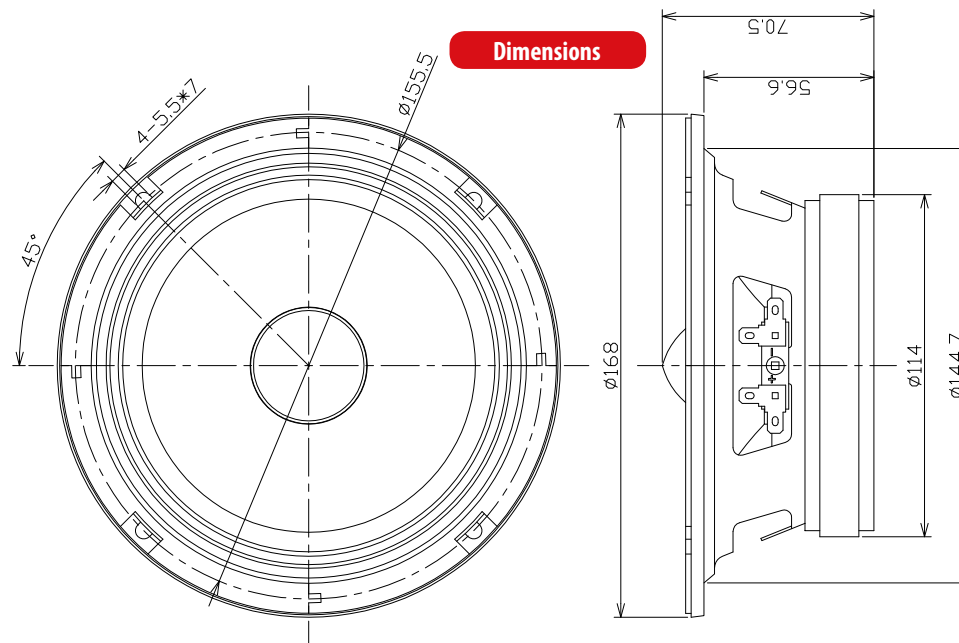
Design to work fine with MTX TX2275 TX2450 TX480D RFL4120 amps



### Parameters

- Re : 3,04Ω
- Le : 0,205mH
- L2 : 0,238mH
- R2 : 2,03Ω
- Cmes : 315,77μF
- Res : 54,31Ω
- Fs : 145,3Hz
- Mms : 11,501g
- Mmd : 9,773g
- Rms : 0,671 Kg/s
- Cms : 0,104mm/N
- Kms : 9,58N/mm
- Bl : 6,035N/A
- Qms : 15,652
- Qes : 0,875
- Qts : 0,829
- Vas : 2,6027 liters
- Sd : 132,73cm<sup>2</sup>
- Lnom : 97,2/2,83V/1m

### Dimensions



[mtxaudio.eu](http://mtxaudio.eu)

[facebook.com/MTXEurope](https://facebook.com/MTXEurope)

[twitter.com/MTXEurope](https://twitter.com/MTXEurope)

### Specifications

- High efficiency midrange
- Diameter : 16,5cm (6.5")
- Max Power : 500W
- RMS Power : 125W
- Sensitivity : 97,2dB/2,83v/1m
- Impedance : 4Ω
- Freq. response : 150Hz - 10000Hz
- Mounting Depth : 56,6mm
- Recommended x-over : >150Hz
- Fs : 145Hz