

## RTX84

### 20cm (8") 4Ω 150W RMS High Efficiency Midrange Woofer



Exceptional sound quality with an incredible sense of music...

51mm giant KSV voice coil for more power handling

134mm extra large strontium magnet for a better cone control and more power handling

Compressed paper cone for more efficiency, softness and high quality sound

Treated Cloth edge suspension for a better efficiency

Highly detailed midrange  
Good bass response

Easy to install - Fits into the original 8" 20cm cut outs (Ø178mm)

Sold by piece - You need two RTX84 for a stereo system

Design to work fine with MTX RTX2BTs or RTX4BTs tweeters

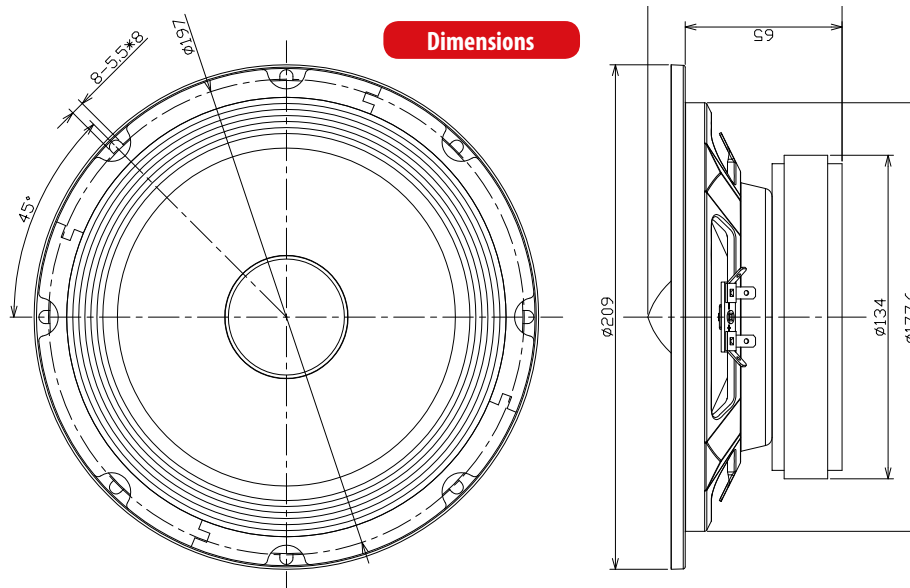
Design to work fine with MTX TX2275 TX2450 TX480D RFL4120 amps



#### Parameters

- Re : 3,10Ω
- Le : 0,092mH
- L2 : 0,488mH
- R2 : 2,39Ω
- Cmes : 403,97µF
- Res : 43,18Ω
- Fs : 98,8Hz
- Mms : 20,495g
- Mmd : 16,962g
- Rms : 01,175Kg/s
- Cms : 0,127mm/N
- Kms : 7,89N/mm
- Bl : 7,123N/A
- Qms : 10,823
- Qes : 0,777
- Qts : 0,725
- Vas : 8,1998 liters
- Sd : 213,82cm<sup>2</sup>
- Lnom : 97,7/2,83V/1m

#### Dimensions



#### Specifications

- High efficiency midrange woofer
- Diameter : 20cm (8")
- Max Power : 600W
- RMS Power : 150W
- Sensitivity : 97,7dB/2,83v/1m
- Impedance : 4Ω
- Freq. response : 100Hz - 5000Hz
- Mounting Depth : 65mm
- Recommended x-over : >100Hz
- Fs : 98,8Hz

[mtxaudio.eu](http://mtxaudio.eu)

[facebook.com/MTXEurope](https://facebook.com/MTXEurope)

[twitter.com/MTXEurope](https://twitter.com/MTXEurope)