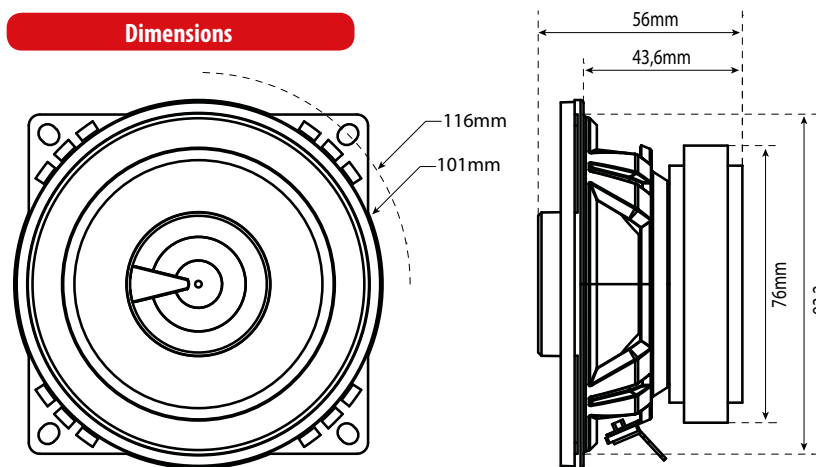


TX240C

10cm (4") Coax Speakers 4Ω 45W RMS



Dimensions



Injected polypropylene cone with brushed electro-plated finish for a perfect design

Laser cut logos for a perfect finish

13mm Mylar tweeter with phase lense for a perfect sound

25mm Aluminium voice coil for a higher power handling

Rubber suspension for a perfect reliability

Soft and highly musical sound quality

Complementary Products



TX2450

Specifications

- 2-way coaxial speakers
- Diameter : 10cm (4")
- Peak Power : 180W
- RMS Power : 45W
- Sensitivity : 90,5dB/2,83v/1m
- Impedance : 4Ω
- Response : 65Hz - 22000Hz
- Mounting Depth : 43,6mm
- Grilles included

mtxaudio.eu

facebook.com/MTXEurope

twitter.com/MTXEurope