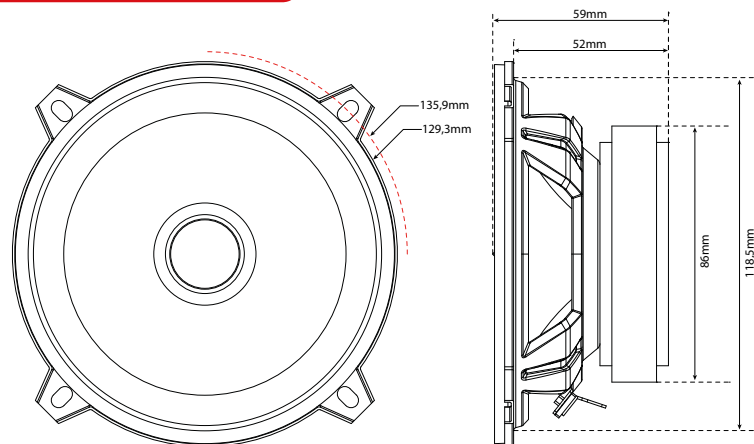


TX250S

13cm (5.25") 2 way Compo Speakers 4Ω 55W RMS



Dimensions



Injected polypropylene cone with brushed electro-plated finish for a perfect design

25mm (1") neodymium silk dome tweeter

Aluminum phase plug to erase the standing waves

Laser cut logos for a perfect finish

25mm Aluminium voice coil for a higher power handling

Rubber suspension for a perfect reliability

Soft and highly musical sound quality

Complementary Products



TX2275, TX2450

Specifications

- 2-way separate speakers
- Woofer diameter : 13cm (5.25")
- Tweeter diameter : 25mm (1") silk dome
- Peak Power : 220W
- RMS Power : 55W
- Sensitivity : 91,5dB/2,83v/1m
- Impedance : 4Ω
- Response : 60Hz - 25000Hz
- Mounting Depth : 52mm
- Grilles included

mtxaudio.eu

facebook.com/MTXEurope

twitter.com/MTXEurope