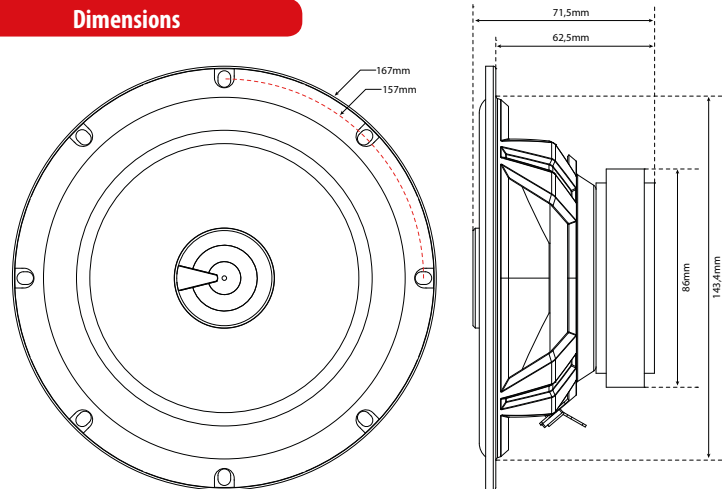


## TX265C

16cm (6.5") Coax Speaker 4Ω 65W RMS



### Dimensions



Injected polypropylene cone with brushed electro-plated finish for a perfect design

Laser cut logos for a perfect finish

13mm Mylar tweeter with phase plug for a perfect sound

25mm Aluminium voice coil for a higher power handling

Rubber suspension for a perfect reliability

Soft and highly musical sound quality

### Complementary Products



TX2450

### Specifications

- 2-way coaxial speakers
- Diameter : 16,5cm (6.5")
- Peak Power : 260W
- RMS Power : 65W
- Sensitivity : 92,5dB/2,83v/1m
- Impedance : 4Ω
- Response : 48Hz - 22000Hz
- Mounting Depth : 62,5mm
- Grilles included

[mtxaudio.eu](http://mtxaudio.eu)

[facebook.com/MTXEurope](https://facebook.com/MTXEurope)

[twitter.com/MTXEurope](https://twitter.com/MTXEurope)