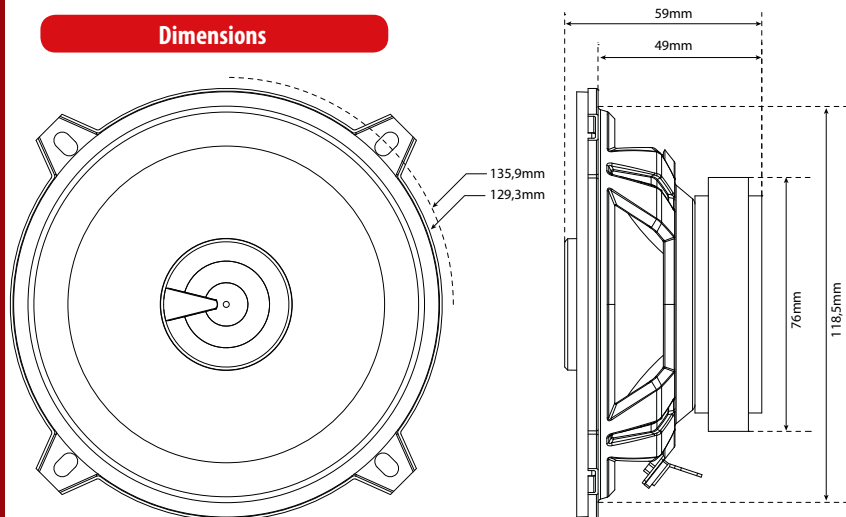


## TX450C

**13cm (5.25") 4Ω 70W RMS Coax Speakers with neodymium silk dome tweeter**



### Dimensions



Treated paper cone coated with silvered sand for a clear midrange

Ø20mm high definition neodymium silk dome tweeter for better details

Extra large strontium magnet for a better cone control and more power handling

25mm aluminium voice coil for an efficient cooling and a better power handling

Rubber suspension for a better reliability

Soft and musical sound with a precise high quality detailed bass

Works fine on an original head-unit, but works much better on the MTX TX2450 amp

### Complementary Product



TX2450

### Specifications

- 2-way coaxial speakers
- Diameter : 13cm (5.25")
- Peak Power : 280W
- RMS Power : 70W
- Sensitivity : 92,5dB/2,83v/1m
- Impedance : 4Ω
- Response : 55Hz - 25000Hz
- Mounting Depth : 53mm
- 20mm silk dome tweeter
- Grills included

[mtxaudio.eu](http://mtxaudio.eu)

[facebook.com/MTXEurope](https://facebook.com/MTXEurope)

[twitter.com/MTXEurope](https://twitter.com/MTXEurope)