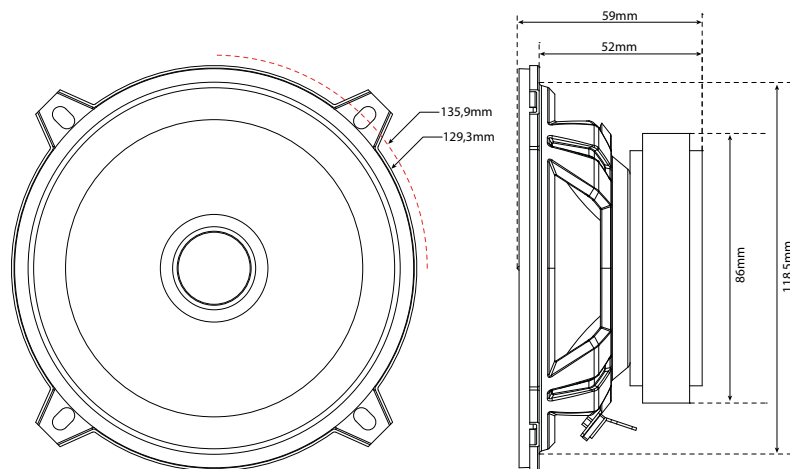


## TX450S

13cm (5.25") 2 way Compo Speakers 4Ω 70W RMS



### Dimensions



Treated paper cone coated with silvered sand for a clear midrange

Ø25mm high definition neodymium silk dome tweeter for better details

Aluminum phase plug to cancel stationary waves and improve the midrange

25mm aluminium voice coil for an efficient cooling and a better power handling

Extra large strontium magnet for a better cone control and more power handling

Rubber suspension for a better reliability

Soft and musical sound with a precise high quality detailed bass

Works fine on an original head-unit, but works better connected to the MTX TR450 or the TX2450 amp

### Complementary Products



TR450

TX2450

### Specifications

- 2-way separate speakers
- Woofer diameter : 13cm (5.25")
- Tweeter diameter : 25mm (1") silk dome
- Peak Power : 280W
- RMS Power : 70W
- Sensitivity : 92,5dB/2,83v/1m
- Impedance : 4Ω
- Response : 55Hz - 25000Hz
- Mounting Depth : 53mm
- Grilles included

[mtxaudio.eu](http://mtxaudio.eu)

[facebook.com/MTXEurope](https://facebook.com/MTXEurope)

[twitter.com/MTXEurope](https://twitter.com/MTXEurope)