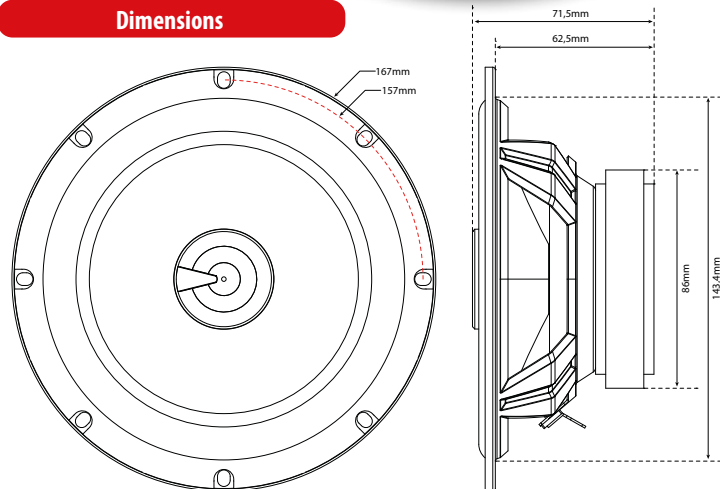


TX465C

16cm (6.5") 4Ω 80W RMS Coax Speaker with neodymium silk dome tweeter



Dimensions



Treated paper cone coated with silvered sand for a clear midrange

Ø20mm high definition neodymium silk dome tweeter for better details

Extra large strontium magnet for a better cone control and more power handling

25mm TIL voice coil for the best sound quality

Rubber suspension for a better reliability

Soft and musical sound with a precise high quality detailed bass

Works fine on an original head-unit, but works better on the TX2275 TX2450 amps

Complementary Products



TX2275, TX2450

Specifications

- 2-way coaxial speakers
- Diameter : 16,5cm (6.5")
- Peak Power : 320W
- RMS Power : 80W
- Sensitivity : 93,5dB/2,83v/1m
- Impedance : 4Ω
- Response : 45Hz - 25000Hz
- Mounting Depth : 63mm
- 20mm silk dome tweeter
- Grills included

mtxaudio.eu

facebook.com/MTXEurope

twitter.com/MTXEurope