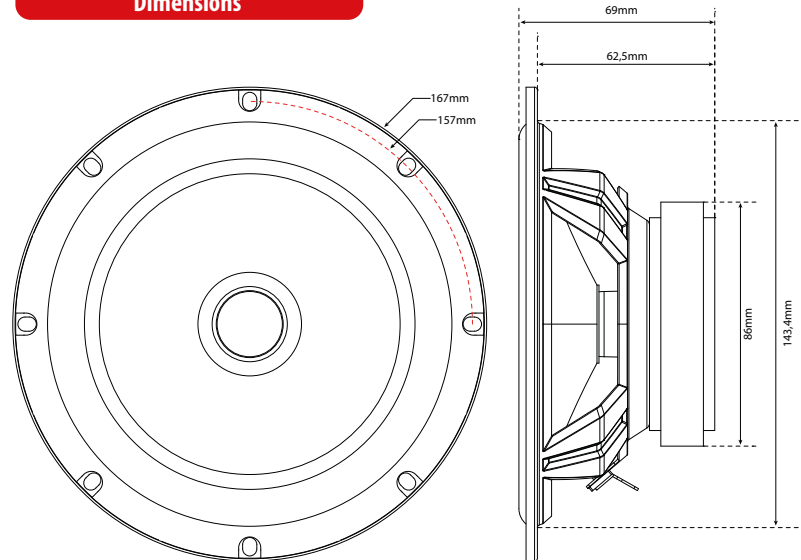


TX465S

16,5cm (6.5") 2 way Compo Speakers 4Ω 80W RMS



Dimensions



Treated paper cone coated with silvered sand for a clear midrange

Ø25mm high definition neodymium silk dome tweeter for better details

Aluminum phase plug to cancel stationary waves and improve the midrange

25mm TIL voice coil for the best sound quality

Extra large strontium magnet for a better cone control and more power handling

Rubber suspension for a better reliability

Soft and musical sound with a precise high quality detailed bass

Works fine on an original head-unit, but works better connected to the MTX TR450 TR275 TX275 TX2450 amp

Complementary Products



Specifications

- 2-way separate speakers
- Woofer diameter : 16,5cm (6.5")
- Tweeter diameter : 25mm (1") silk dome
- Peak Power : 320W
- RMS Power : 80W
- Sensitivity : 93,5dB/2,83v/1m
- Impedance : 4Ω
- Response : 45Hz - 25000Hz
- Mounting Depth : 63mm
- Grilles included

mtxaudio.eu

facebook.com/MTXEurope

twitter.com/MTXEurope