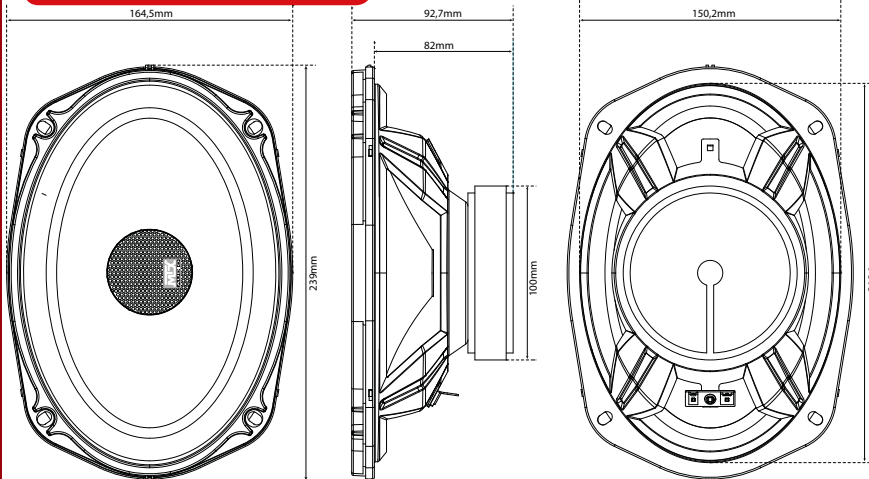


TX469C

16x23cm (6x9") 4Ω 100W RMS Coax Speakers with neodymium silk dome tweeter



Dimensions



Treated paper cone coated with silvered sand for a clear midrange

Ø25mm high definition neodymium silk dome tweeter for better details

Extra large strontium magnet for a better cone control and more power handling

30mm aluminium voice coil for an efficient cooling and a better power handling

Rubber suspension for a better reliability

Soft and musical sound with a precise high quality detailed bass

Works fine on an original head-unit, but works better on the TX2275 TX2450 amps

Complementary Products



TX2275, TX2450

Specifications

- 3-way coaxial speakers
- Diameter : 16x23cm (6x9")
- Peak Power : 320W
- RMS Power : 80W
- Sensitivity : 93,5dB/2,83v/1m
- Impedance : 4Ω
- Response : 24Hz - 22000Hz
- Mounting Depth : 79,8mm
- Grills included

mtxaudio.eu

facebook.com/MTXEurope

twitter.com/MTXEurope