

## TX612 30cm 12" 2Ω 800W rms Superwoofer



### Spécifications

- Superwoofer
- Diameter : 30cm (12")
- Peak power: 2400W
- RMS power : 800W
- BBR : 48 Volts
- Sensitivity : 91,3dB/2,83v/1m
- Impedance : 2Ω (SVC)
- Voice coil diameter : 2,5"
- BL factor: 16
- Frequency response : 20Hz - 500Hz

### Parameters

- |                     |                             |
|---------------------|-----------------------------|
| • Fs : 27 Hz        | • Cms :                     |
| • Re : 2 Ω          | 0,120mm/N                   |
| • Z : 2 Ω           | • Bl : 16 N/A               |
| • Qms : 6,17        | • Sd : 500,5cm <sup>2</sup> |
| • Qes : 0,42        | • Xmax : 14mm               |
| • Qts : 0,39        | • Vd : 0,701 liter          |
| • Vas : 42,7 liters | • SPL 2,83V/1m :            |
| • Prms : 800 Watts  | 91,3dB                      |
| • Mms : 279,1grams  |                             |

High performances subwoofer

Aluminum frame

2,5" high temperature voice coil

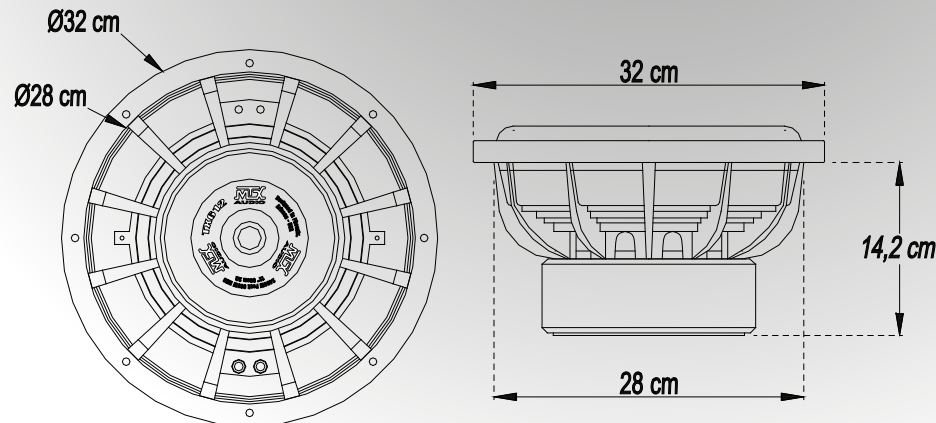
Dual voice coil cooling system

Extra large suspension

High power handling (BBR 48V)

Impressive quality price ratio

Optimized for one MTX TX6500D



[mtxaudio.eu](http://mtxaudio.eu)

[facebook.com/MTXEurope](https://facebook.com/MTXEurope)

[twitter.com/MTXEurope](https://twitter.com/MTXEurope)