

TX615 38cm 15" 2Ω 1000W rms Superwoofer



Spécifications

- Superwoofer
- Diameter : 30cm (12")
- Peak power: 2400W
- RMS power : 800W
- BBR : 48 Volts
- Sensitivity : 91,3dB/2,83v/1m
- Impedance : 2Ω (SVC)
- Voice coil diameter : 2,5"
- BL factor: 16
- Frequency response : 20Hz - 500Hz

Parameters

- | | |
|------------------------------|--------------------------|
| • Fs : 27 Hz | • Vd : 1,173 liter |
| • Mms : 332,4 grams | • Qts : 0,43 |
| • Re : 2 Ω | • Xmax : 14 mm |
| • Cms : 0,090 mm/N | • Vas : 89,8 liters |
| • Z : 2 Ω | • SPL 2,83V/1m : 94,8 dB |
| • Bl : 17 N/A | • Prms : 1000 Watts |
| • Qms : 5,54 | |
| • Sd : 838,2 cm ² | |
| • Qes : 0,46 | |

High performances subwoofer

Aluminum frame

2,5" high temperature voice coil

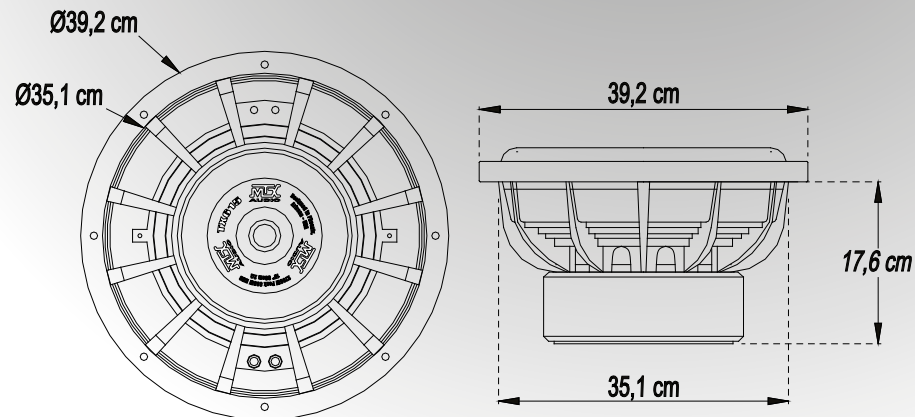
Dual voice coil cooling system

Extra large suspension

High power handling (BBR 48V)

Impressive quality price ratio

Optimized for one MTX TX6500D



mtxaudio.eu

facebook.com/MTXEurope

twitter.com/MTXEurope