

MTX[®]

AUDIO



TX812
Superwoofer
30cm 2Ω
1800W rms

Specifications

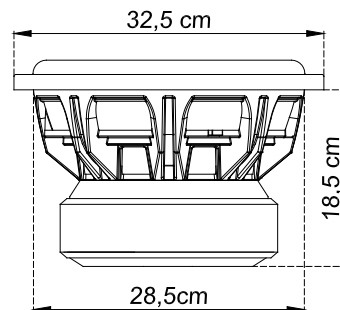
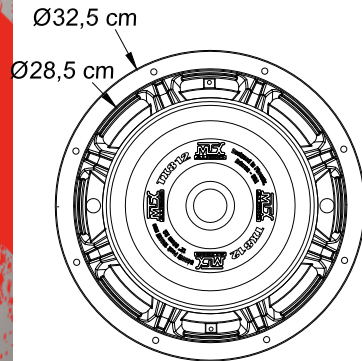
- Superwoofer
- Diameter : 30cm (12")
- Peak power : 5400W
- RMS power : 1800W
- Sensitivity : 90dB/2,83v/1m
- Impedance : 2Ω (SVC)
- Voice coil diameter : 3"
- BL factor: 18
- Frequency response : 26Hz - 500Hz

Parameters

- Fs : 32 Hz
- Re : 2 Ω
- Z : 2 Ω
- Qms : 6,63
- Qes : 0,47
- Qts : 0,44
- Vas : 30,4 liters
- Prms : 1800 Watts
- Mms : 311grams
- Cms : 0,08mm/N
- Bl : 18 N/A
- SPL 2,83V/1m : 90,0dB

(+) Product

- Superwoofer with ultimate performances
- BBR : 85 volts
- Heavy reinforced aluminum frame
- Dual spider
- High temperature 3" voice coil
- Dual voice coil cooling system
- 25mm thick front plate
- Crazy high power handling
- Aluminum made MTX front logo and back plate
- Optimized for one MTX RT1000.1D



mtxaudio.eu
 facebook.com/MTXEurope
 twitter.com/MTXEurope