



TX815

Superwoofer

38cm 2Ω

2000W rms



Specifications

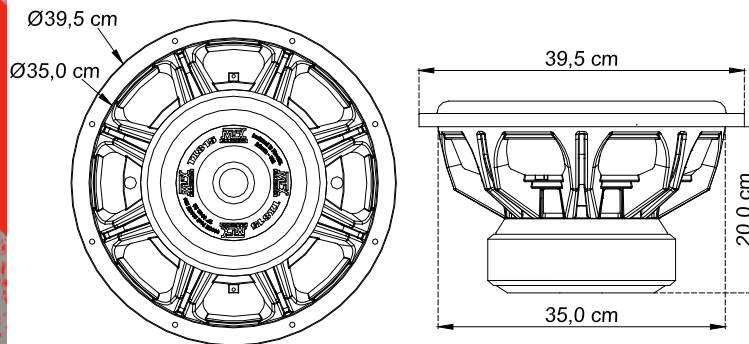
- Superwoofer
- Diameter : 38cm (15")
- Peak power : 6000W
- RMS power : 2000W
- Sensitivity : 91dB/2,83v/1m
- Impedance : 2Ω (SVC)
- Voice coil diameter : 3"
- BL factor: 19
- Frequency response : 26Hz - 500Hz

Parameters

- Fs : 31 Hz
- Re : 2 Ω
- Z : 2 Ω
- Qms : 6,30
- Qes : 0,53
- Qts : 0,49
- Vas : 69,3 liters
- Prms : 2000 Watts
- Mms : 367 grams
- Cms : 0,07mm/N
- Bl : 19 N/A
- SPL 2,83V/1m : 91,3dB

(+) Product

- Superwoofer with ultimate performances
- Dual voice coil cooling system
- BBR : 85 volts
- 25mm thick front plate
- Heavy reinforced aluminum frame
- Crazy high power handling
- Dual spider
- Aluminum made MTX front logo and back plate
- High temperature 3" voice coil
- Optimized for one MTX RT1000.1D



mtxaudio.eu
facebook.com/MTXEurope
twitter.com/MTXEurope