

TX8652

6.5" 4Ω 120W RMS 2-way Separate spk, aluminum frame, TSV Til voice coil, silk dome neodymium tweeter



Complementary Products



TX480D RFL4120 RFL5300

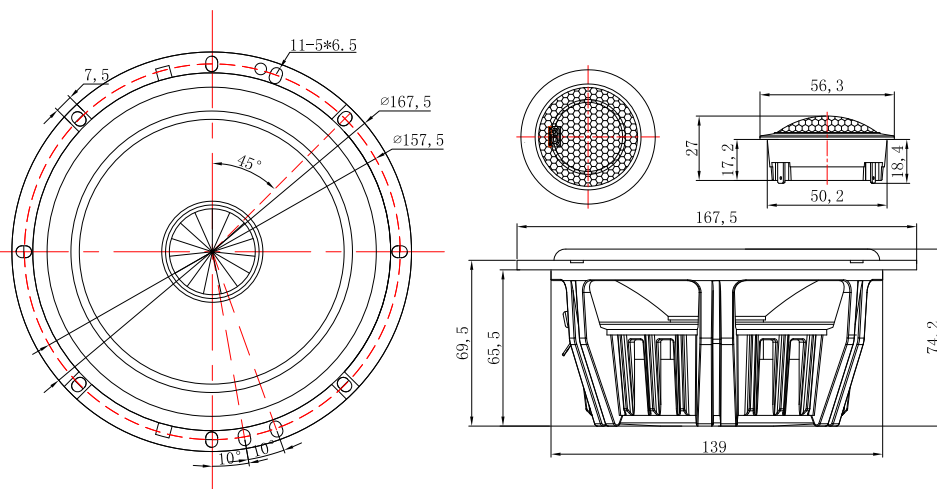
Usage Tips

Very high performance speakers, it must be associated with the best amps. We recommend using it with the RFL4120 or RFL5300. But it can also be used with simpler amps...

Specifications

- 2-way separate speakers
- Woofer diameter : 16,5cm (6.5")
- Tweeter diameter : 28mm silk dome
- Peak Power : 480W
- RMS Power : 120W
- Sensitivity : 92,0dB/2,83v/1m
- Impedance : 4Ω
- Response : 41Hz - 32000Hz
- Mounting Depth : 65mm
- Grilles included

Dimensions



Exceptional sound quality
high-end hi-fi level

Carbon and fibreglass cone for an
exceptional rigidity

Aluminum frame, similar design as the
TX8 subwoofers one

Aluminum phase plug helping cooling
and sound quality

38mm TIL voice coil on the woofer
for high power handling

28mm neodymium tweeter with
built-in and swiveling silk dome

Passive x-over with pure diagram,
air coils and double polypropylene
capacitor

Huge magnetic system (Ø10cm !!!)

Grills included

mtxaudio.eu

facebook.com/MTXEurope

twitter.com/MTXEurope