

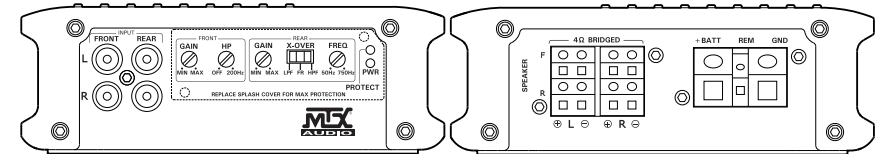
WET75.4

400W RMS @2Ω 4-Channel class-AB MARINE amplifier with variable active x-overs



The MTX WET75.4 is a 4-channel Class-AB marine amplifier developing 4x75W RMS. It is designed to power four speakers or two speakers plus a subwoofer. It allows you to enjoy the music on your boat at high volume level with an incredible sound quality. Its UV and humidity resistance has been carefully designed to keep you enjoying it for a long time, despite humidity, salt, sun and heat.

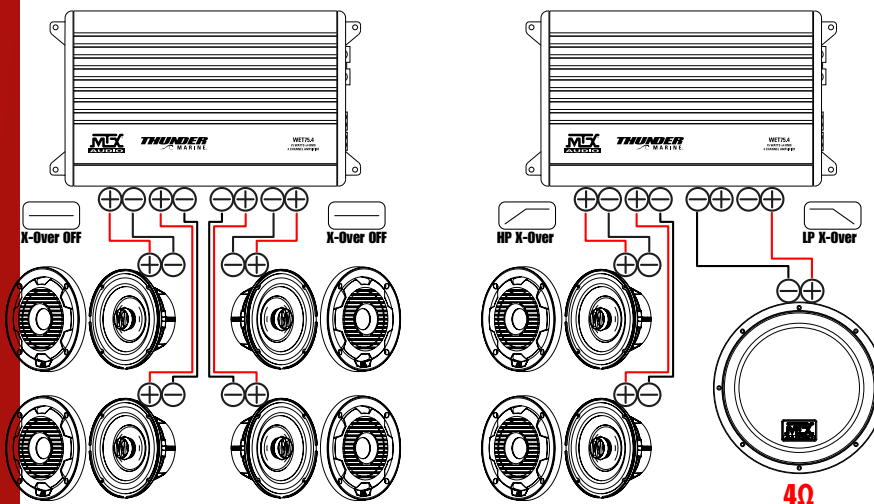
Side panels & settings



Complementary products



4-channel and 3-channel configurations



Designed to meet the durability and reliability requirements of the marine environment

Resists humidity and splashing water

Silicone treated printed circuit board

Stainless steel connectors to resist corrosion

Protective plexiglass on the settings

Rubber gaskets to protect RCAs

Very powerful amplification

Compact size easy to fit

Active variable high-pass and low-pass X-overs

Specifications

- 4-channel class-AB amplifier
- CEA2006 certified RMS power:
 - 4x 100 Watts RMS at 2Ω THD + N ≤ 1%
 - 4x 75 Watts RMS at 4Ω THD + N ≤ 1%
 - 2x bridged 200 Watts RMS @ 4Ω THD+N ≤ 1%
- Active X-over:
 - Front: High pass (HPF) variable from 10Hz to 200Hz
 - Rear: High pass (HPF) low pass (LPF) variable from 50Hz to 750Hz
- Signal / noise ratio (1W): > 78dB
- THD + noise (distortion) (4Ω, 1W): ≤ 0.05%
- Frequency response (± 1dB): 15Hz-25000Hz
- RCA input sensitivity: 200mV - 5V
- Dimensions: 160x310x57 mm