

ZNXH2L

Smart speaker cable to 8V RCA line out adapter, with Remote OUT, without +12V power supply required



Add an amplifier or a powered enclosure to any OEM or after market headunit with ease.

High-level (speaker cables) to Low-level (RCA) adapter to turn speaker cables into RCA outputs for amplifiers and powered enclosures.

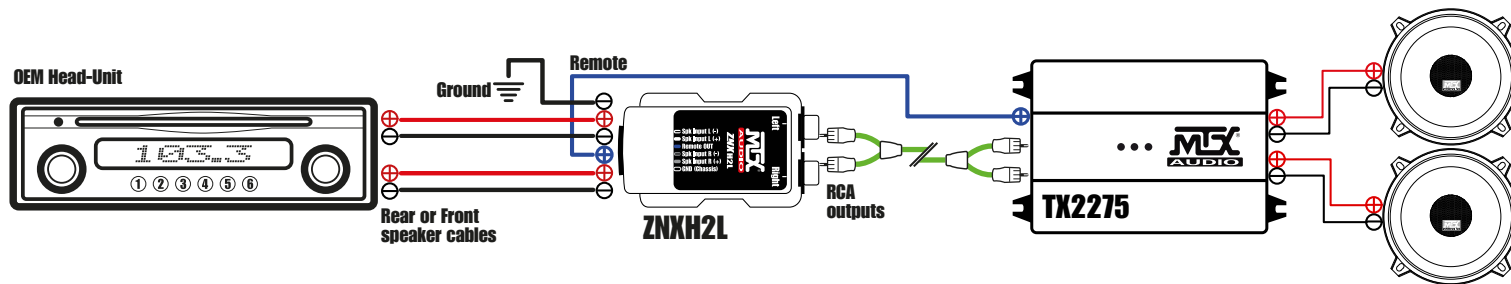
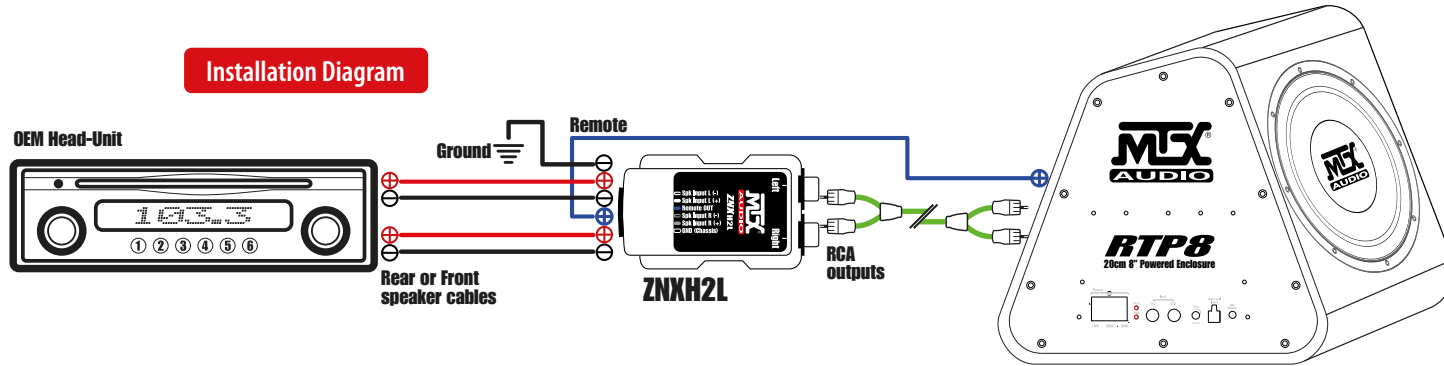
Provides a fully automatic Remote OUT to turn on/off amps and powered enclosures.

Breathtaking sound quality, because there is no loss in the transformers like other adapters.

No need to power the adapter with a +12V, making installation simple and its use magical.

Mini size so you can install it anywhere...

Installation Diagram



Specifications

- High 2 Low level adapter (Spk to RCA)
- Maximum speaker input power : 2x 80W
- Maximum RCA output tension : 2x 8V
- Auto switch ON/OFF
- Generates a +12V 100mA Remote OUT from the headunit speaker cables without +12V power supply
- Frequency response : 20Hz~20kHz ±0.5dB
- Features 60Ω loads for the best OEM headunit compatibility
- Dimensions : 51x28x6,4mm